

TDEM Area Survey

EMD2



Features

- active metal detection system for area surveys
- size of coil: 1.25 x 0.8 m
- rugged and counterbalanced
- lightweight, dismantlable carrier frame with integrated transmitter and receiver coils
- 3-channel data logging for high resolution
- 0-10,000 mV measurement range
- PDA for data logging with DGPS input
- MAGNETO[®] software for data processing
- max. daily coverage: 1 ha

The *EMD2* is an active, highly sensitive system for middle sized area surveys using the TDEM („Time Domain Electromagnetics“) method in order to detect metals in the ground.

It is made for high-precision electromagnetic cartographies of small and middle sized areas in order to support UXO and EOD teams, geophysicists or archaeological surveys.

The *EMD2* comes with three pairs of differential coils giving a higher resolution for optimized identification of single objects

Measurement data is being digitized and logged with the compact *EMD2* electronics.

The rugged PDA with DGPS connection can be used in order to allow free navigation in field, straight display of survey lines and a geo-referencing of the data. It is also possible to use the system for data logging without a GPS.

Data processing and interpretation will be done on a PC equipped with the *SENSYS MAGNETO[®]* software.

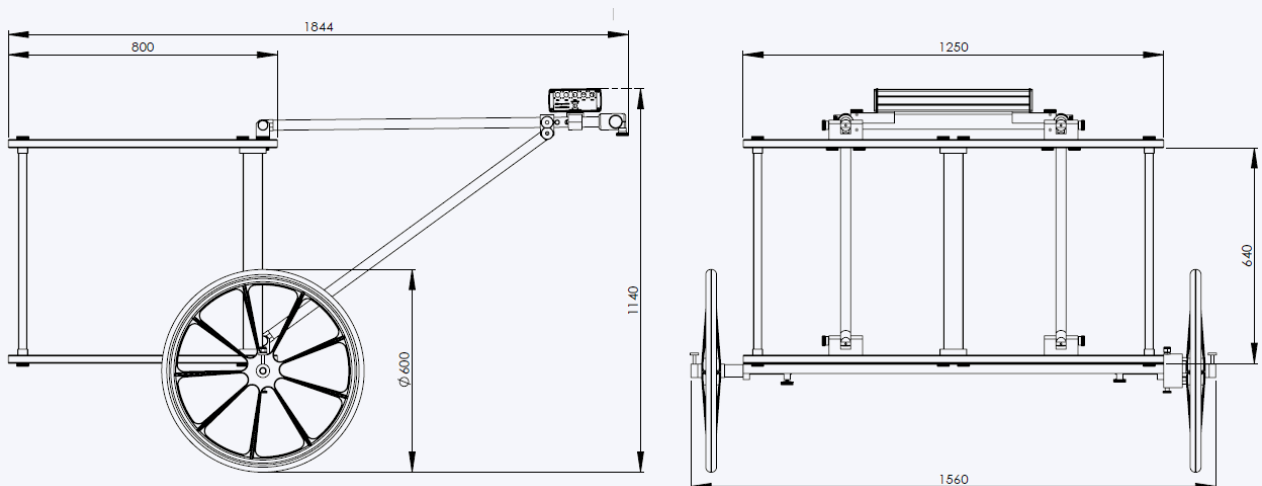
The whole *EMD2* system is lightweight designed and easily dismantlable, but made for heavy duty use in the field.

Areas of Application

- detection of ammunition
- detection of pipelines

Technical Data

General technical data	
Power supply	12 V lead gel battery
Total weight of system (with wheel set)	approx. 20 kg
Dimensions of frame	
Length	approx. 2 m
Width (incl. Wheel set)	approx. 1.6 m
Height (incl. wheel set)	approx. 1m
Sensor system EMD2	
Coils	1 transmitter coil (bottom) 3 receiver coils (bottom) 3 receiver coils (top)
Size of coil (transmitter coil)	1.2 x 0.8 m
Size of coil (receiver coil)	0.4 x 0.4 m
Measurement configuration	
Pulse frequency	500 Hz
Measurement range	0-10,000 mV
Vertical distance of coils	0.64 m



Dimensions EMD2